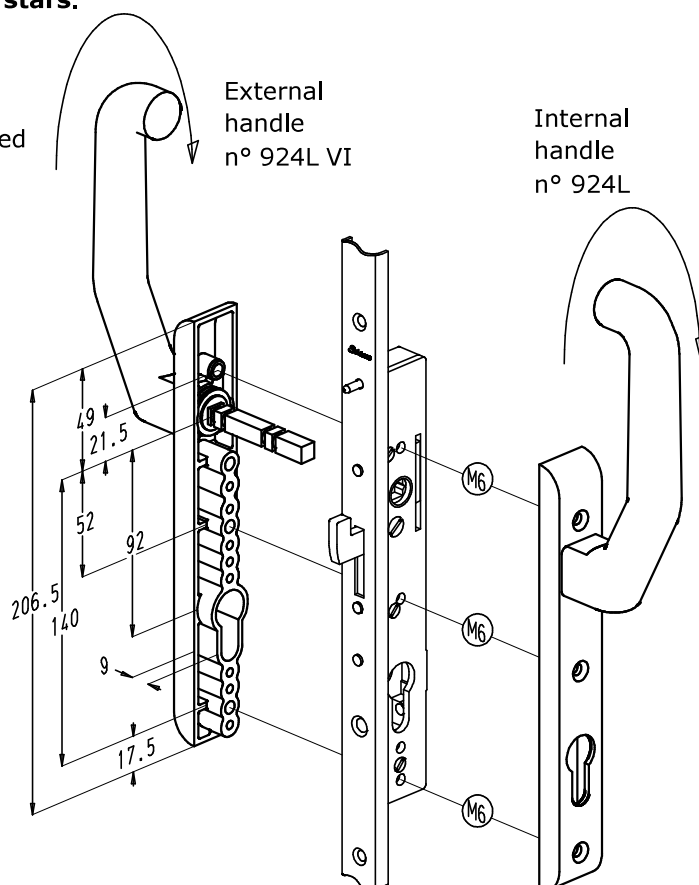




PENTA-LOCK SLIDING DOOR HANDLES

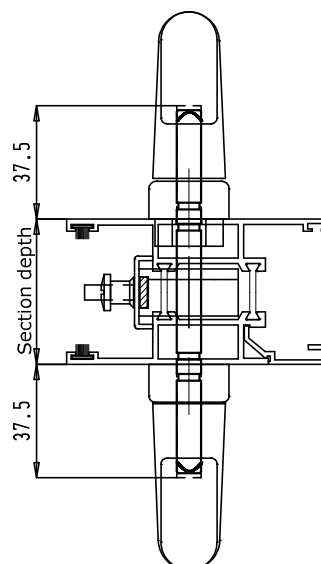
10. SKG door handle n° 924L**10.1. General information**

- High security door handles with special reinforced core which encases the cylinder and makes the long backplate hard to break. In combination with a Penta-Lock a real nightmare for any burglar.
- Door handle n° 924L VI on the outside, in combination with a door handle n° 924L on the inside, both provided with fixing holes M6.
- The door handles have been **tested by SKG, 2 stars.**
- Material:
 - door handle : aluminium
 - long backplate: zinc alloy
 - finish : always polyester powder coated in more than 450 RAL colours

**Square spindles**

- The square spindle in steel zinc plated must be ordered separately.
- The square spindles are also available in large scalement package (G) per 50 pieces.
- Order table:

Order code		Spindle length	Section depth
Per piece	Large scalement package		
V28-104	GV28-104	104 mm	30-38 mm
V28-112	GV28-112	112 mm	38-46 mm
V28-120	GV28-120	120 mm	46-54 mm
V28-128	GV28-128	128 mm	54-62 mm
V28-136	GV28-136	136 mm	62-70 mm



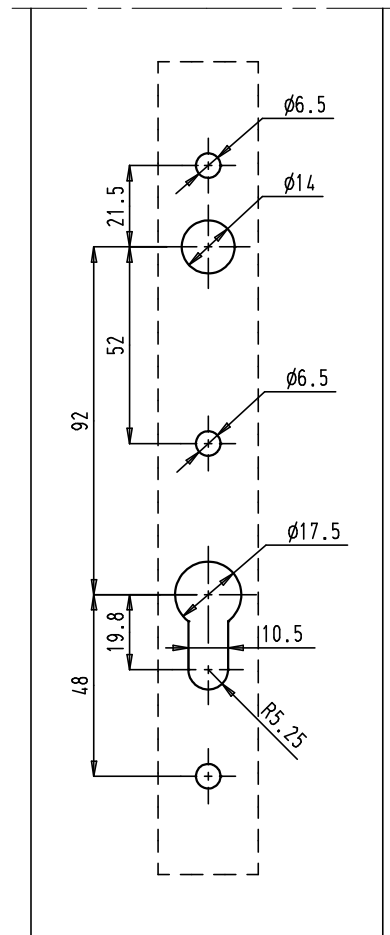
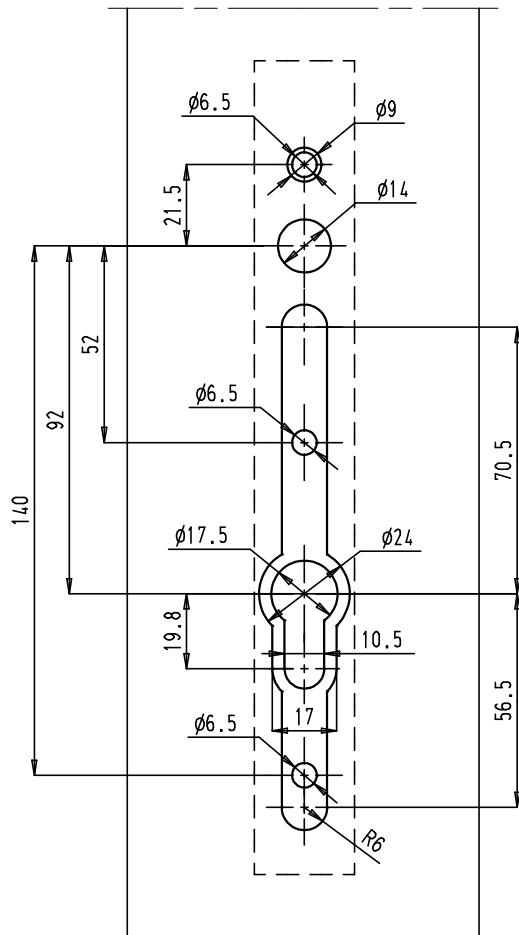


PENTA-LOCK SLIDING DOOR HANDLES

10.2. Profile preparations

• Outside: preparations for door handle n° 924L VI

• Inside: preparations for door handle n° 924L



Installation example

